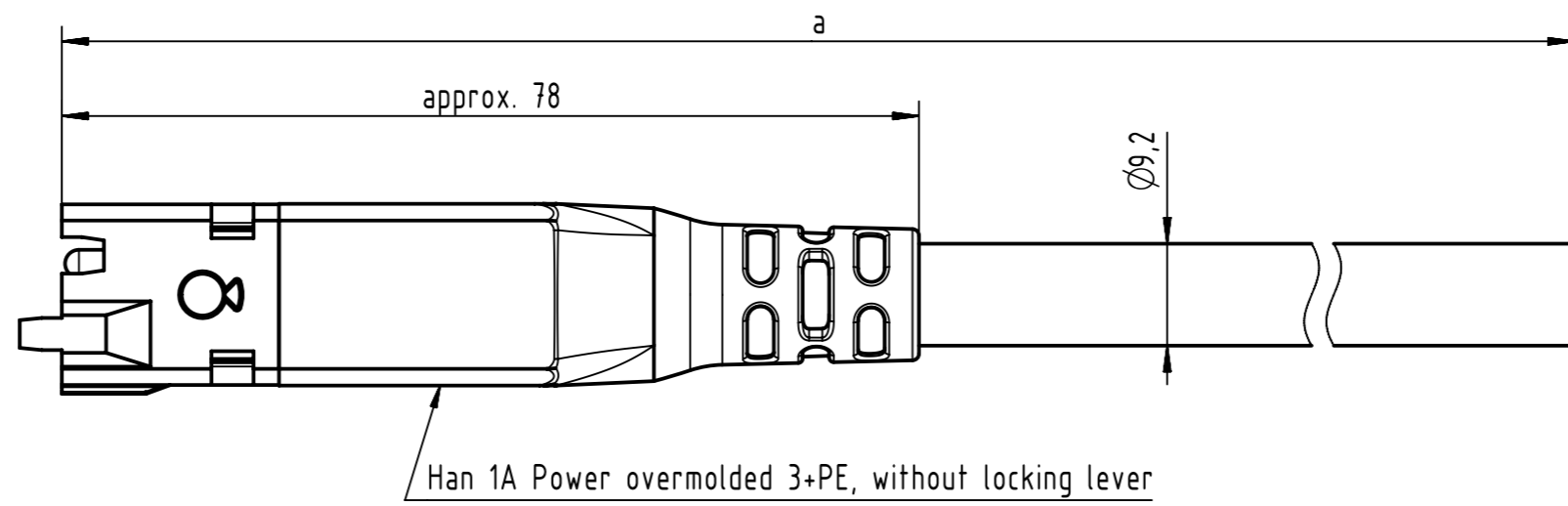
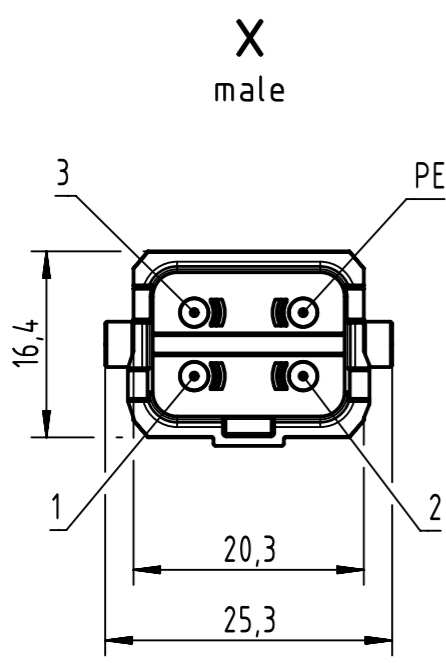


Connector Location A

Connector Location B



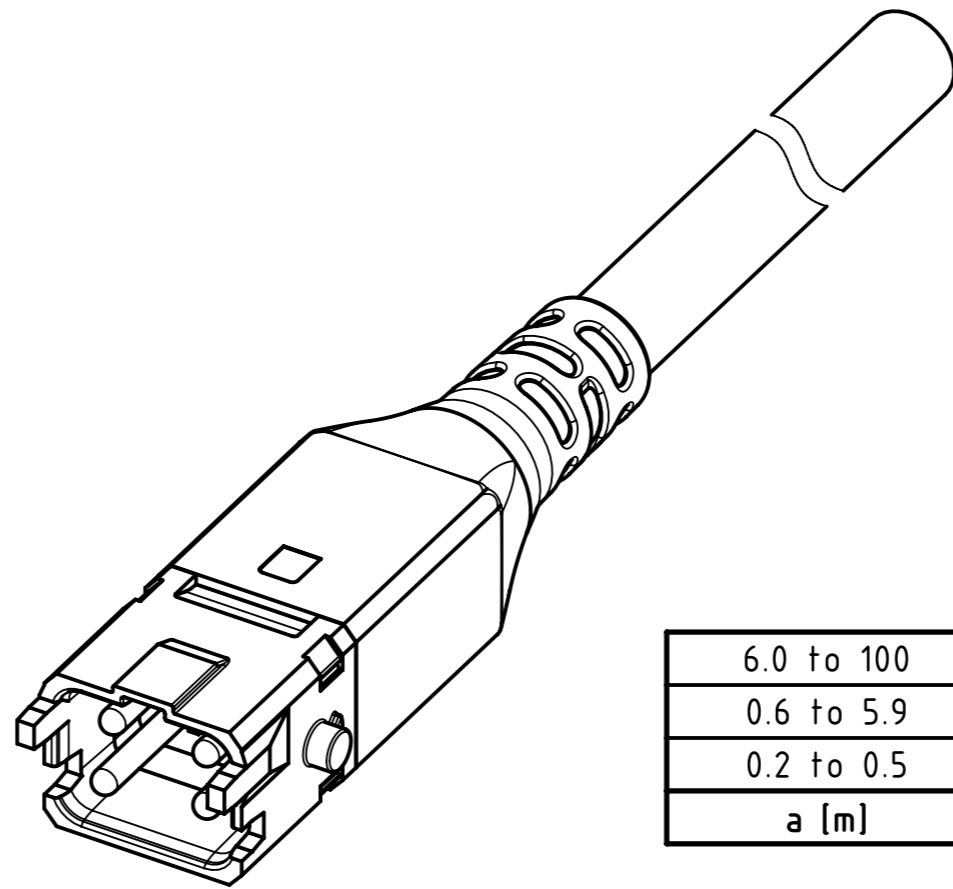
Han 1A Power overmolded 3+PE, without locking lever



X  
male

Loading Plan

1	wire 1
2	wire 2
3	wire 3
PE	green/yellow



NOTE:  
 \* Silver plated contacts  
 \* Protection level: IP66/67  
 Temperature range:  
 - Fixed installation: -30°C ... +80°C  
 - Dynamic installation: -15°C ... +80°C

length in "1m" step	100	XXX=000
	99	XXX=990
	12	XXX=120
	11	XXX=110
length in "0.1m" step	10	XXX=100
	9.9	XXX=099
	9.8	XXX=098
	0.5	XXX=005
	0.4	XXX=004
	0.3	XXX=003
	0.2	XXX=002
Step	a [m]	XXX

6.0 to 100	±1%
0.6 to 5.9	+0.04
0.2 to 0.5	+0.02
a [m]	Tolerance

JZ-500 4G2.5mm <sup>2</sup> , PVC, grey	33400200202XXX
Type of cable	Part no.

	All rights reserved	Created by BANCIUD Banciu	Inspected by 402676 Gross	Standardisation MUNTEANV Muntean	Date 2022-07-22	State Final Release	
	Department HCS - RO	Title Han 1A OM 3+PE -lever m/- PVC				Doc-Key / ECM-Nr. 100999371/UGD/000/B 500000221229	
HARTING Customised Solutions D-32339 Espelkamp		Type TB	Number 33400200202XXX			Rev. B	Page 1/1